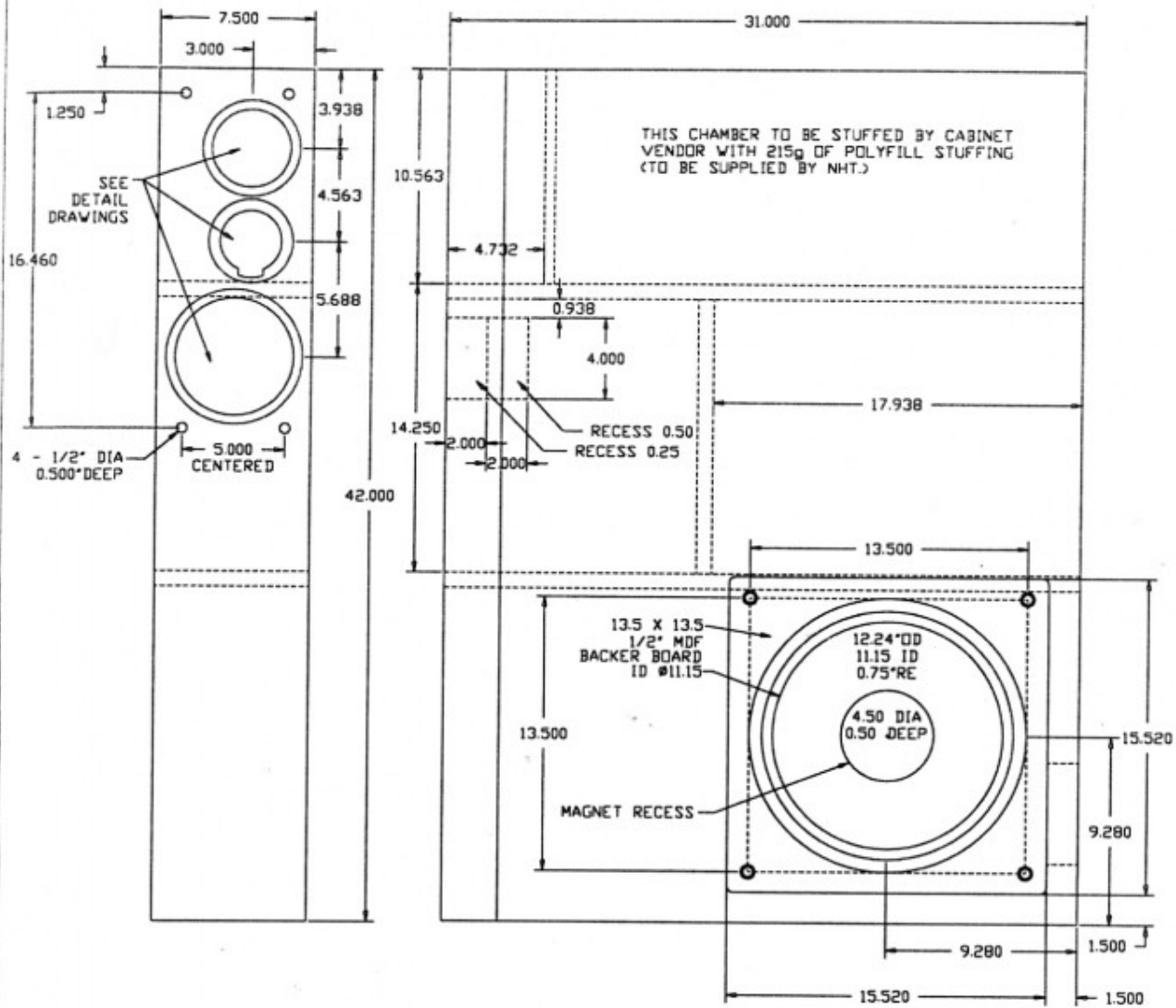


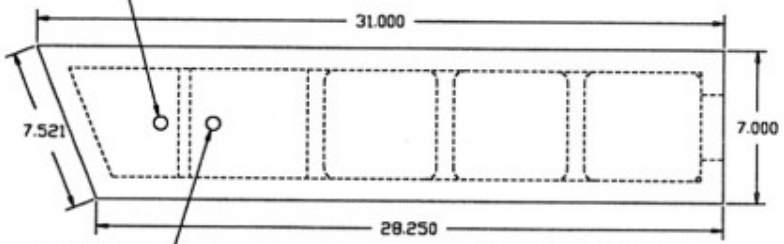
1" MDF, BLACK
FINISH, NO VISIBLE
WHITEWOOD.

1/4-20 X .825
THREADED, UNFLANGED
INSERTS TO BE
COUNTERSUNK 0.020
AND INSTALLED PRIOR
TO SANDING AND
PAINTING.

FINISH		FLAT BLACK PAINT	
MATERIAL		1" MDF	
TITLE		M3.3 STAB. PILOT GUIDE	BY WHB
DATE	4/17/96	NOW HEAR THIS. INC	REVISION 9



.625 THRU BOTTOM OF UPPER CHAMBER



.625 THRU BOTTOM OF LOWER CHAMBER

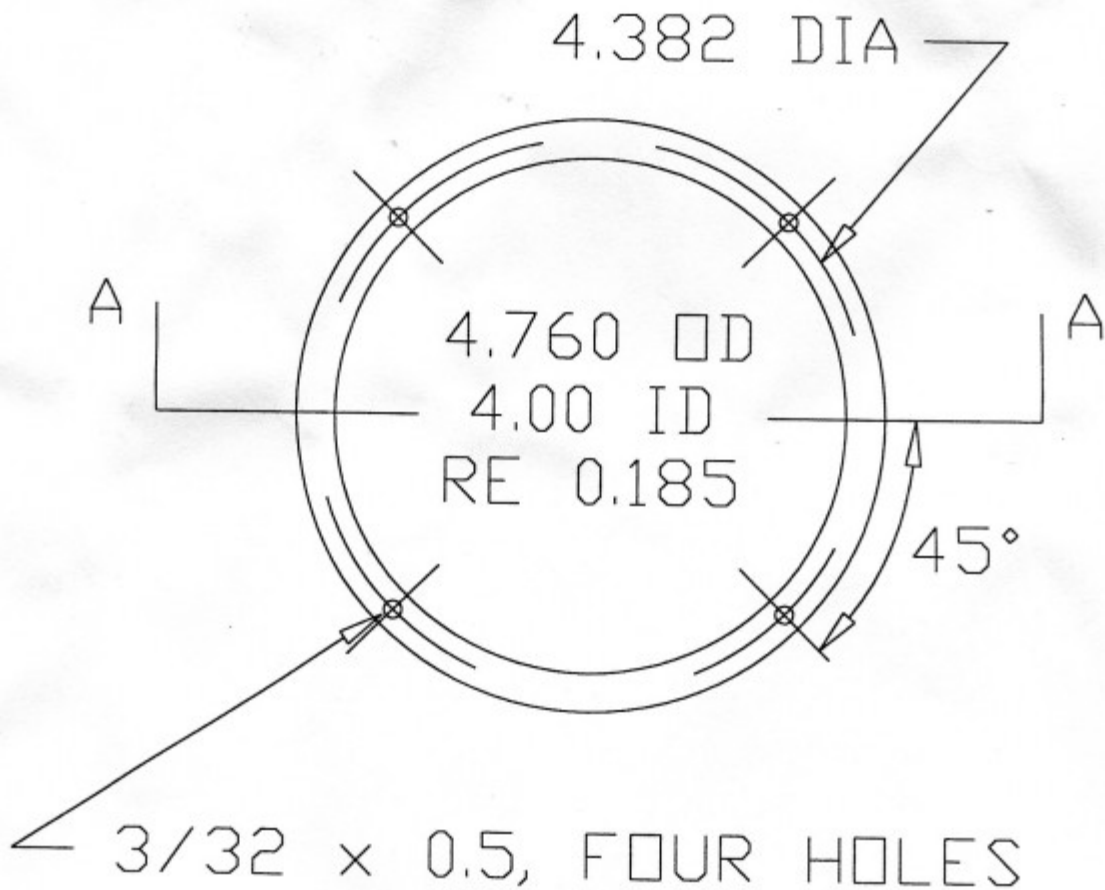
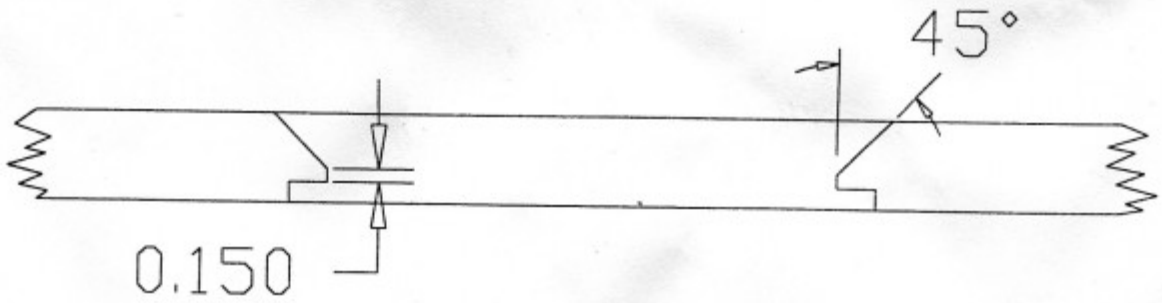
THIS CHAMBER TO BE STUFFED BY CABINET VENDOR WITH 215g OF POLYFILL STUFFING (TO BE SUPPLIED BY NHT.)

J.H. 5/15/96

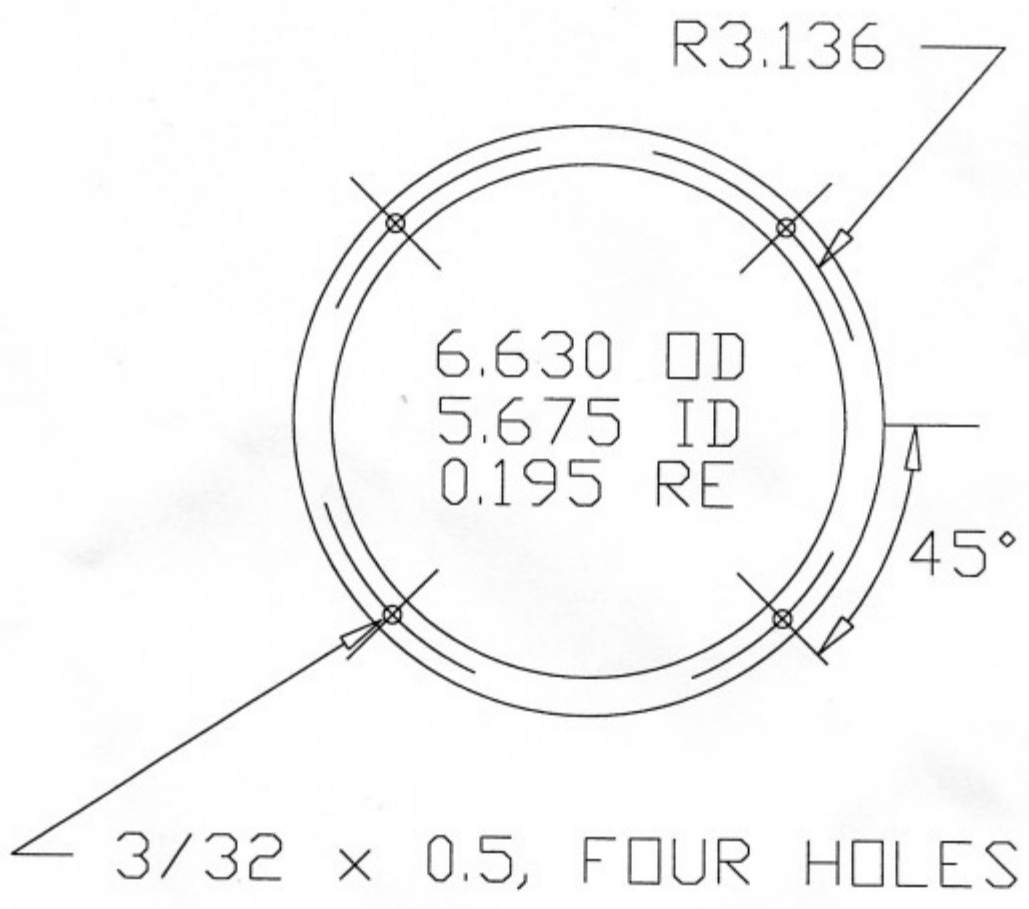
NOTE: THIS SPEAKER IS A LEFT SIDE THE RIGHT SIDE IS A MIRROR IMAGE OF THE LEFT SIDE FABRICATE TO OUTSIDE DIMENSIONS AS SHOWN.

FINISH SPECIFIED VENEER OR LAMINATE	
MATERIAL 1" MDF	
TITLE M3.3 PRODUCTION	BY JH
DATE 4/17/96	REVISION 9
NOW HEAR THIS, INC	

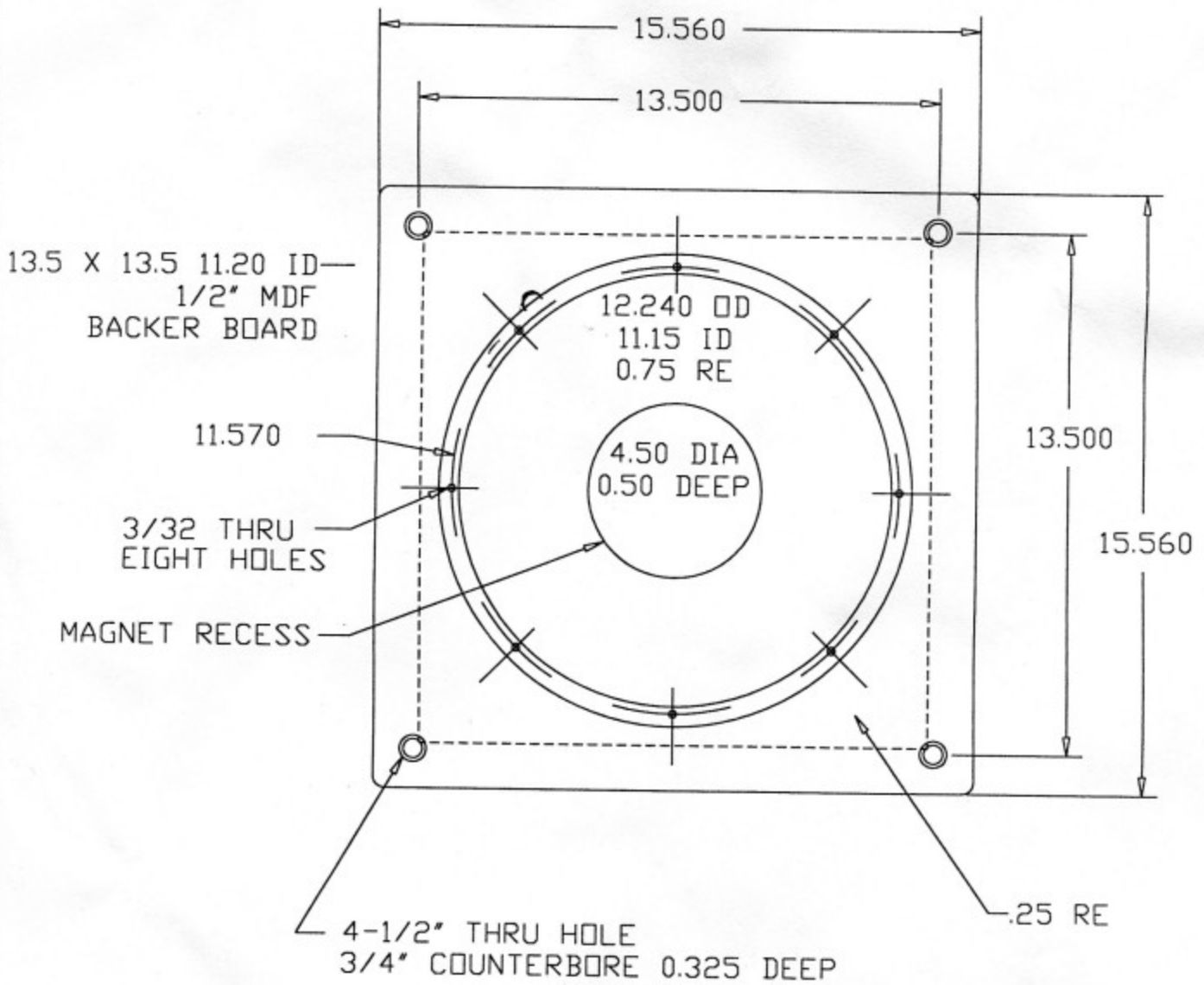
SECTION A - A



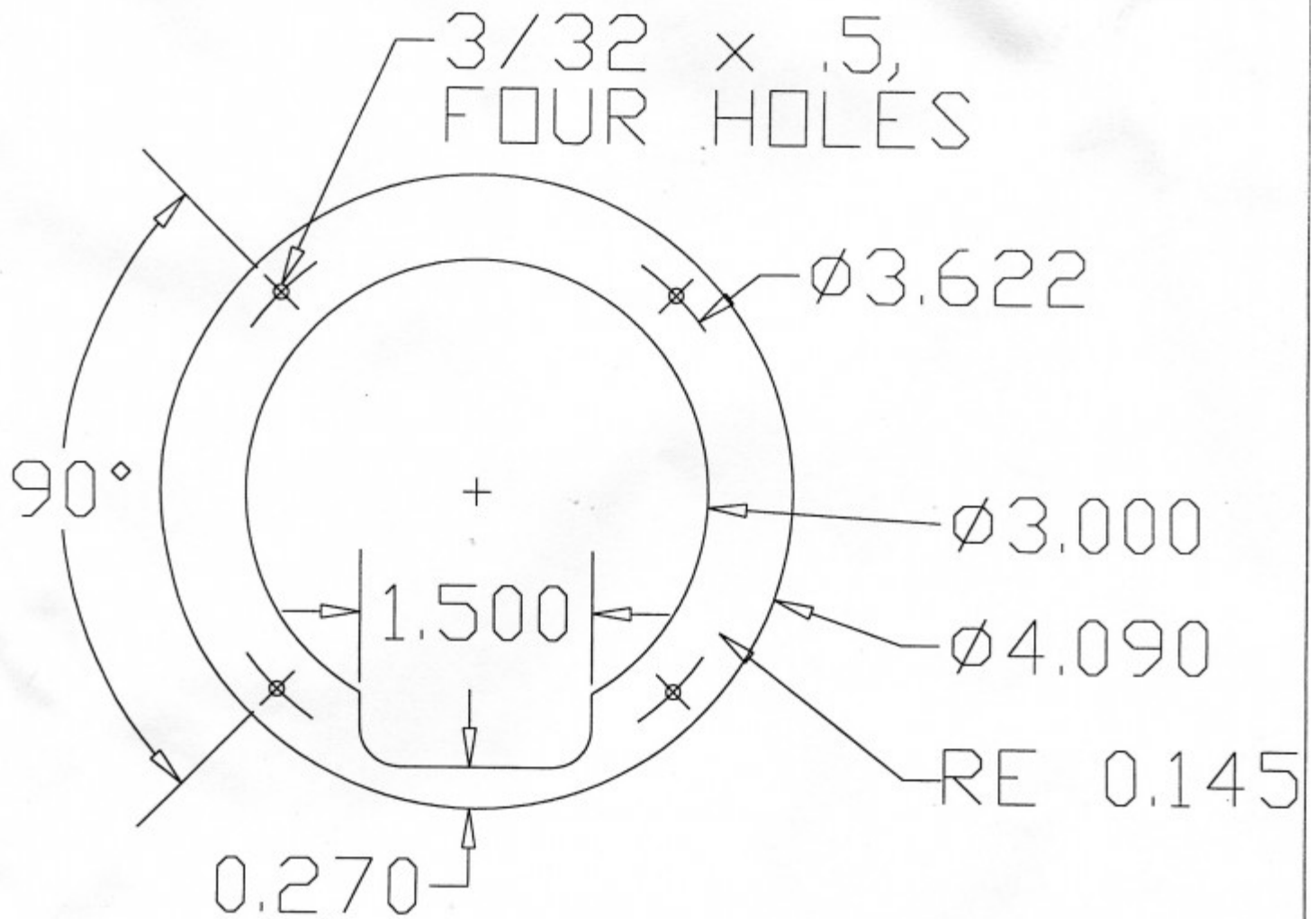
FINISH	
MATERIAL 1" MDF	
TITLE M3.3 UPPER MID CUTOUT DETAIL	
DATE 4/17/96	BY JH REVISION 9
NOW HEAR THIS, INC	



FINISH	
MATERIAL 1" MDF	
TITLE M3.3 LOWER MID CUTOUT DETAIL	BY WHB
DATE 4/17/96	REVISION 9
NOW HEAR THIS, INC	



FINISH	FLAT BLACK PAINT	
MATERIAL	1" MDF, 1/2" MDF	
TITLE	M3.3 WOOFER CUTOUT DETAIL	BY WHB
DATE	4/17/96	REVISION 9
	NOW HEAR THIS, INC	



FINISH	
MATERIAL 1" MDF	
TITLE M3.3 TWEETER CUTOUT DETAIL	
DATE 4/11/96	BY RJH
REVISION 9	
NOW HEAR THIS, INC	

